

Enchantment Under The Forms Designer

join us for a magical experience



What is FormsDesigner? Why use it?

FormsDesigner allows you to customize the “forms”, the User Interface you see when you log into System Administration.

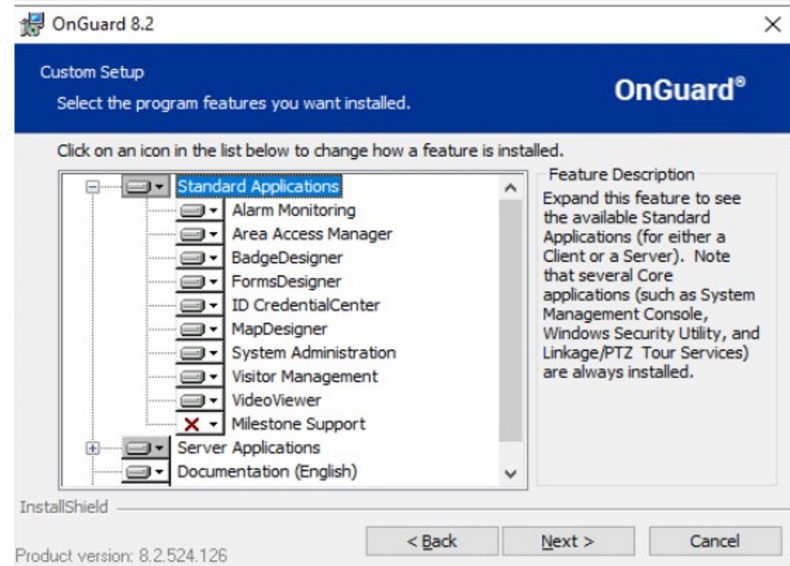
What Can you do?

- Add custom fields
- Add custom pages
- Modify the placement and naming of the default fields
- Modify the look and feel of the form
- Create/Modify and use Data Exchange (if licensed)

Why use it?

Simple....Make your forms more YOU


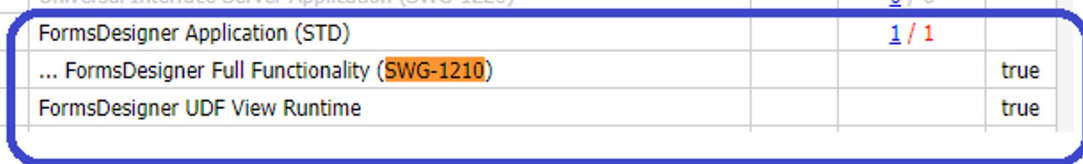

Installing, Licensing, and Launching FormsDesigner



Installing, Licensing, and Launching FormsDesigner

General

Name	Expires	In Use / Max.	Value
Product OEM Code			
Product OEM Mask			
Database Segmentation (SWG-1240)			
Fault Tolerance (PCC-FTS)			
Multiple Alarm Monitoring Instances on Workstation (SWG-1330)			
Universal Interface Server Application (SWG-1220)		0 / 0	
FormsDesigner Application (STD)		1 / 1	
... FormsDesigner Full Functionality (SWG-1210)			true
FormsDesigner UDF View Runtime			true
DataExchange Runtime			true
... DataExchange Configuration (SWG-1225)			true

- SWG-1210: **true** means you have the Full FormsDesigner (**and not the “lite” version*)
- UDF View Run time: **true** means you can display a custom layout in the Cardholder screen.
- If DataExchange is not enabled in the license, the DataExchange functionality in FormsDesigner will not appear

Object Explorer

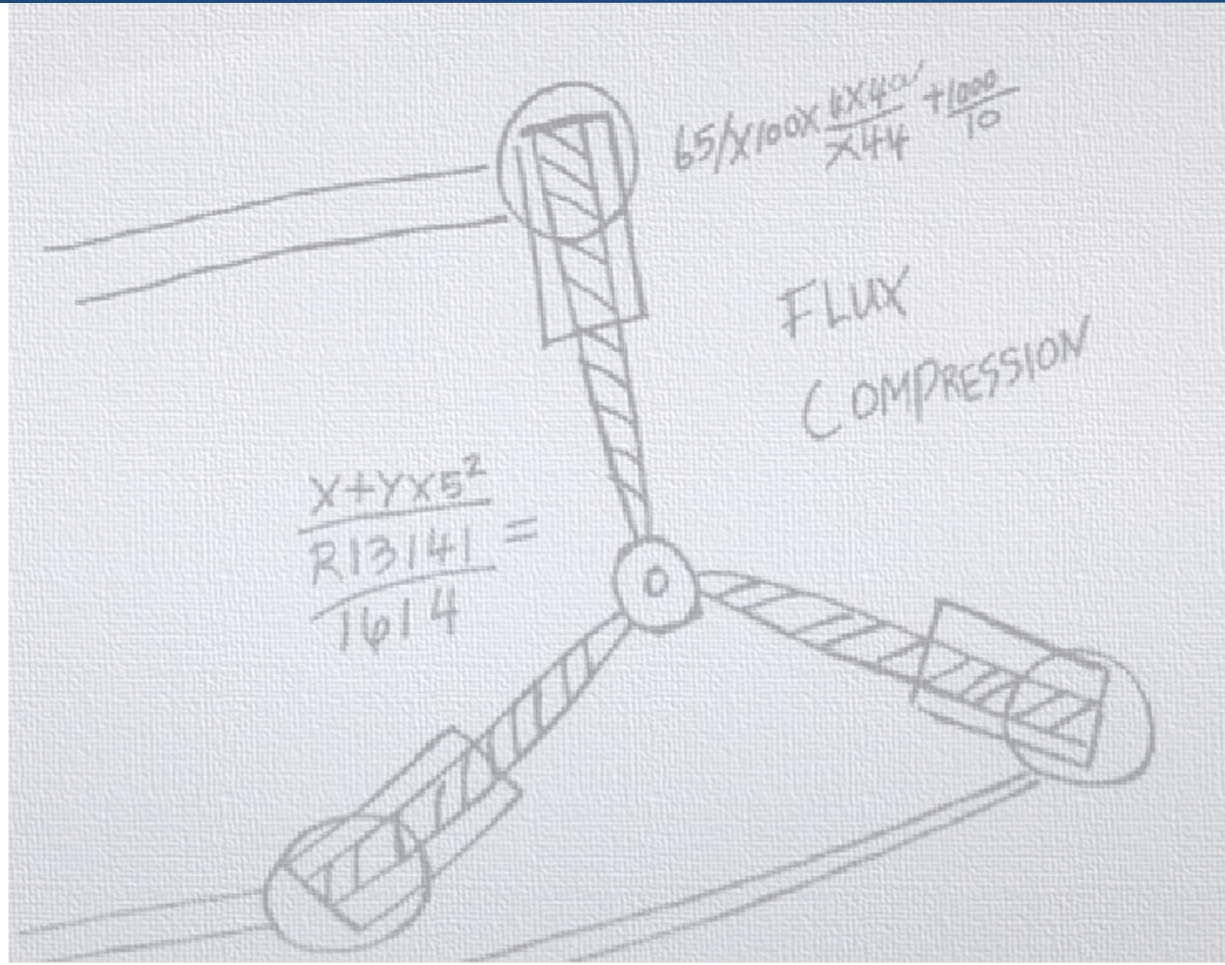
SQLQuery2.sql - PS...t (AD\kollekkm (31))

100 %

Connected. (1/1)

The real work comes down to being prepared for the Production change

- Step 1 - PLAN
- Step 2 - TEST
- Step 3 - REVIEW & REDO
“Rinse & Repeat”
- Step 4 - PREPARE: Prod Pre-work
- Step 5 - EXECUTE Prod Updates



Plan

- Know what changes you want to make
- Create list of new Objects
- Record coordinates and settings in [EXCEL](#)
- Get a copy of your prod database into a Dev/QA environment so you can test changes in advance in as similar an environment to Prod as possible



TEST

- Add/Delete/Modify fields in QA as needed
- Use the tools in FormsDesigner to Align them
- Save your changes and time how long it takes
- CAPTURE REFERENCE SCREENSHOT



Review and Redo

- Review outcome in Front End
- Review in DB
- Adjust if needed
- Revert QA to pre changes (restore db, etc)
- Redo this process again: practice session
- CAPTURE FINAL SCREENSHOT for PROD migration



Prepare

- Prod backups
- Minimize user activity and writes to the database during FormsDesigner changes
- Do some pre- and post-integrity checks



Bottom Line

1. You need to come up with a good process that works for you
2. Test over and over, rinsing and repeating the process so that there are no surprises at run time in Production



Day Of



What does FormsDesigner do? How long does it take?

DB:

- ALTERS UDFEMP
- ALTERS BADGE
- Adds/removes lookup tables
- Transfers Data

Forms Translation:

- System Admin UI
- Legacy forms for thick client Area Access Manager

For Stanford it takes 32 minutes

Lenel Tech Jargon:

- Metadata according to a few system tables we attempt to update (DDTBL, DDFLD)
- Updating User Defined Field to Property Mapping/Updating Type Display Configurations
- Removal of any Unmapped Metadata
- Updating UI Forms/Type Skeleton/Types for Segmentation.

Great Scott! Things didn't go according to plan





*Your database backup is
your bulletproof vest!*



***WERE SENDING YOU
BACK TO THE FUTURE!***





Thank You

for a magical experience

MARTIN
KOLLEK

New York University

TRACY
NEIL

Stanford University

HELUG

Enchantment

under the

FORMS



DeSigner



OR BE THERE
BE SQUARE!